



## PRESTIGE

Featuring pure lines, the Prestige executive desk owes its imposing presence to the attention paid to detail. The main feature of the product is the contemporary design of the structure, the pure lines of the cantilever leg and work top.





1. Subtle blend of materials from chrome arch leg and cable port, and the spirit of the Nitech® wood.
2. Return storage with 2 large storage drawers and a premium synchronized push-lash opening system.

PRESTIGE

# Technical description

## Desk

38 mm thick Nitech® panel protected by 3 mm thick edging or 25 mm thick Structurex® panel.

2 mm thick shock-proof ABS edging.

Metal arch ribbon leg of cross-section 70 mm x 30 mm, Chrome or Matt black epoxy finish, based on a self-supporting beam system with raised desk tops, forming a full steel underframe with 2 arche legs and 2 transverse beams.

The desk is fitted with 2 square cable ports and one 80 mm diameter cable channel, Chrome finish.

Adjustable feet to compensate for uneven surfaces.

The desk and storage unit are connected by a 15 cm high shortened ribbon leg so that the leg rests on the storage unit.

## Storage unit

The storage unit consists of 2 large storage drawers.

The drawers have a push-lash opening system with synchronisation to open the drawer by pressing anywhere across its width.

Chrome-plated or Black plastic leg.

## Return storage

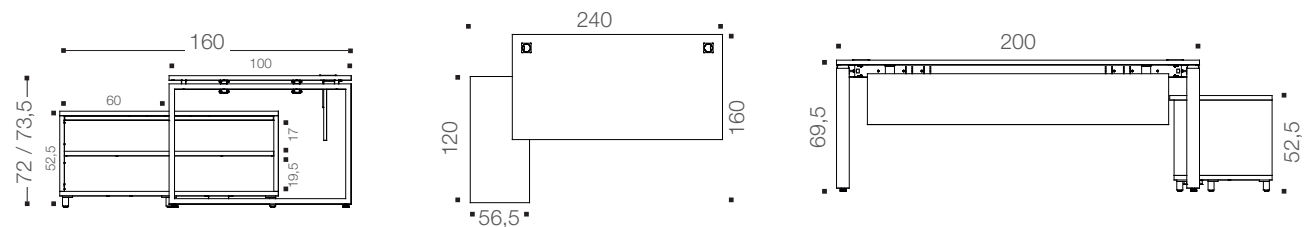
The connection between desk and return storage unit consists of a short loop leg H 15 cm fixed to the storage unit.

## Desktop

38 mm thick Nitech® panel or 25 mm thick Structurex® panel.

## Leg

Metal arch structure leg made of 70 x 30 mm chrome-plated tube section. The Prestige range is based on a self-supporting beam system with raised desktops, forming a full steel underframe with 2 arch legs and 2 transverse beams.

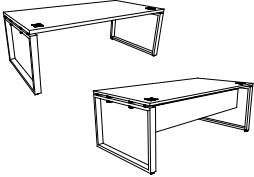




# Finishes



# Desks

	Dimensions in cm	Description	WITHOUT MODESTY PANEL		WITH MODESTY PANEL	
			Ref.	+ Finish*	Ref.	+ Finish*
<b>Straight desk with loop leg</b> <b>38 mm thick top</b> 	D 100	Chrome plated leg	BG686	+ [ ]	BY816	+ [ ]
	H 73,5					
	L 200	Black matt leg	BG685	+ [ ]	BY815	+ [ ]
<b>Not available in Black top.</b>						
<b>Straight desk with loop leg</b> <b>25 mm fine top</b> 	D 100	Chrome plated leg	BY826	+ [ ]	BY836	+ [ ]
	H 72					
	L 200	Black matt leg	BY825	+ [ ]	BY835	+ [ ]





\*Complete the reference with the chosen finish. All our mentioned finishes, metal and all other materials are to be considered as decoration and imitation finishes.  
 Ex : straight desk with 38 mm thick top, Chrome loop legs, without modesty panel, Nebraska Oak MFC finish top = BG686 + [ F ]



# Desks



Top and storage MFC finishes



		Dimensions in cm	Description	Ref.	+ Finish*
<b>Straight desk with open return storage</b>  <b>38 mm thick top</b>		Total dimensions D 160 / H 73,5 / L 240	Chrome plated leg	BY846	+ <input type="checkbox"/>
		Return storage D 56,5 / H 52,5 / L 120	Black matt leg	BY845	+ <input type="checkbox"/>
<b>Not available in Black top.</b>					
<b>Straight desk with open return storage</b>  <b>25 mm fine top</b>		Total dimensions D 160 / H 72 / L 240	Chrome plated leg	BY876	+ <input type="checkbox"/>
		Return storage D 56,5 / H 52,5 / L 120	Black matt leg	BY875	+ <input type="checkbox"/>
<b>Straight desk with 2 drawers return storage</b>  <b>38 mm thick top</b>		Total dimensions D 160 / H 73,5 / L 240	Chrome plated leg	BY886	+ <input type="checkbox"/>
		Return storage D 56,5 / H 52,5 / L 120	Black matt leg	BY885	+ <input type="checkbox"/>
<b>Not available in Black top.</b>					
<b>Straight desk with 2 drawers return storage</b>  <b>25 mm fine top</b>		Total dimensions D 160 / H 72 / L 240	Chrome plated leg	BY896	+ <input type="checkbox"/>
		Return storage D 56,5 / H 52,5 / L 120	Black matt leg	BY895	+ <input type="checkbox"/>

\*Complete the reference with the chosen finish. All our mentioned finishes, metal and all other materials are to be considered as decoration and imitation finishes.  
Ex : desk with open return storage, 25 mm fine top, chrome loop legs, Nebraska Oak MFC finish top = BY876 +  F

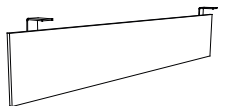


Modesty panel and top MFC finishes

## Storage

		Dimensions in cm	Description	Ref.	+ Finish*
<b>Open storage</b>		D 56,5 / H 52,5 / L 120	Chrome leg	BY946	+ <input type="checkbox"/>
			Black matt leg	BY945	+ <input type="checkbox"/>
<b>2 drawers storage</b>		D 56,5 / H 52,5 / L 120	Chrome leg	BY956	+ <input type="checkbox"/>
			Black matt leg	BY955	+ <input type="checkbox"/>

## Option

		Dimensions in cm	Description	Ref.	+ Finish*
<b>Suspended modesty panel</b>		H 28 / L 166	Chrome plated brackets	DA176	+ <input type="checkbox"/>
			Black matt brackets	DA175	+ <input type="checkbox"/>





\*Complete the reference with the chosen finish. All our mentioned finishes, metal and all other materials are to be considered as decoration and imitation finishes.  
 Ex : 2 drawers storage, chrome legs, Bleached Oak MFC finish top = BY956 + \_N\_



## Tables



Top MFC finishes

		Dimensions in cm	Description	Ref.	+ Finish*
<b>Conference table</b> <b>38 mm thick top</b>		D 140	Chrome plated leg	BY906	+ <input type="checkbox"/>
		H 73,5 L 240	Black matt leg	BY905	+ <input type="checkbox"/>
<b>Not available in Black top.</b>					
<b>Conference table</b> <b>25 mm fine top</b>		D 140	Chrome plated leg	BY916	+ <input type="checkbox"/>
		H 72 L 240	Black matt leg	BY915	+ <input type="checkbox"/>
<b>Conference table extension</b> <b>38 mm thick top</b>		D 140	Chrome plated leg	BY926	+ <input type="checkbox"/>
		H 73,5 L 140	Black matt leg	BY925	+ <input type="checkbox"/>
<b>Not available in Black top.</b>					
<b>Conference table extension</b> <b>25 mm fine top</b>		D 140	Chrome plated leg	BY936	+ <input type="checkbox"/>
		H 72 L 140	Black matt leg	BY935	+ <input type="checkbox"/>

\*Complete the reference with the chosen finish. All our mentioned finishes, metal and all other materials are to be considered as decoration and imitation finishes.  
Ex : extension conference table, 38 mm thick top, chrome loop leg, Timber MFC finish top = BY926 +  M



# **buronomic**

FABRICANT FRANÇAIS

RETROUVEZ UN PARTENAIRE BURONOMIC PRÈS DE CHEZ VOUS

[www.buronomic.com](http://www.buronomic.com)

