



OPTIMAX

Optimax pedestals are proximity storage units adjacent to the work station. They are available at desk height or partition height, to structure the space in shared offices. Optimax is available in individual version with left or right opening, or in a shared version for 2 users. Optimax opens and closes silently with its closure damping system.





1. Desk-height Optimax storage unit fitted with a removable drawer that can provide additional storage space. 2. Double height version of the Optimax storage unit to share files and optimise their use.

Technical description

Optimax pedestals are available in desk-height or partition-height: H 72 and H 113 cm. They provide a means of structuring the space in shared offices.

16 mm thick Structurex® pedestal, 25 mm thick top.

Storage unit structure in Neutral white finish.

Centralised locking with a set of 2 keys including one coated which folds away.

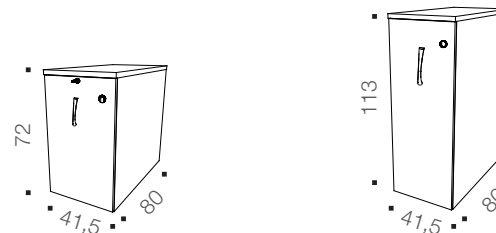
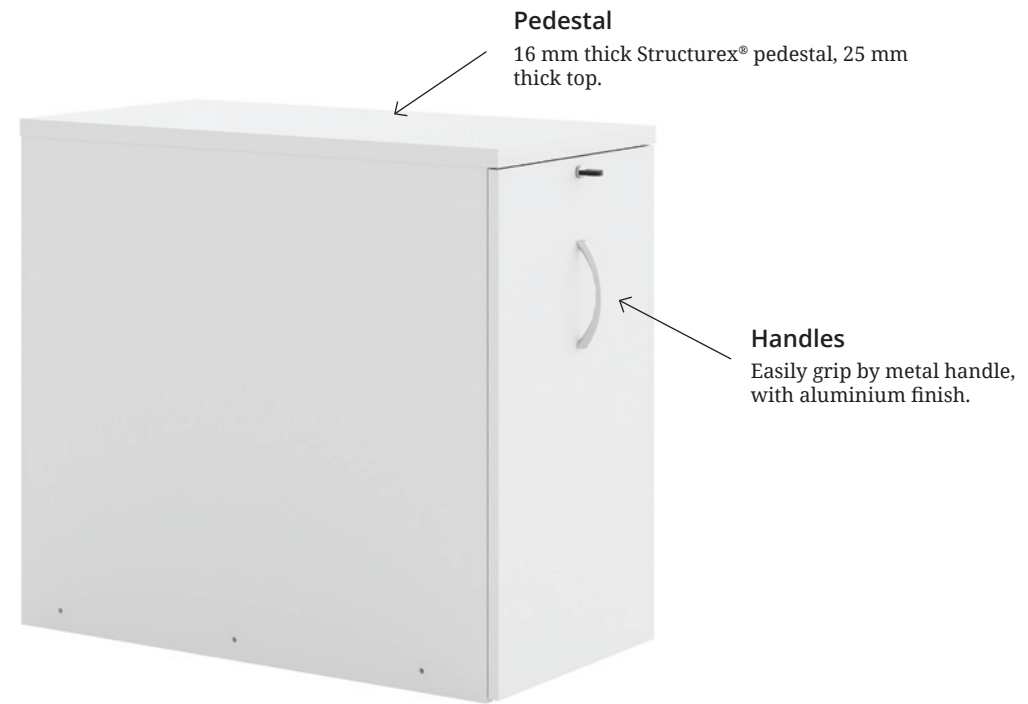
Drawer with full extraction mounted on ball-bearing runners.

Opens and closes silently, with the use of a damping system.

Aluminium finish metal handle. Two-material handles an option.

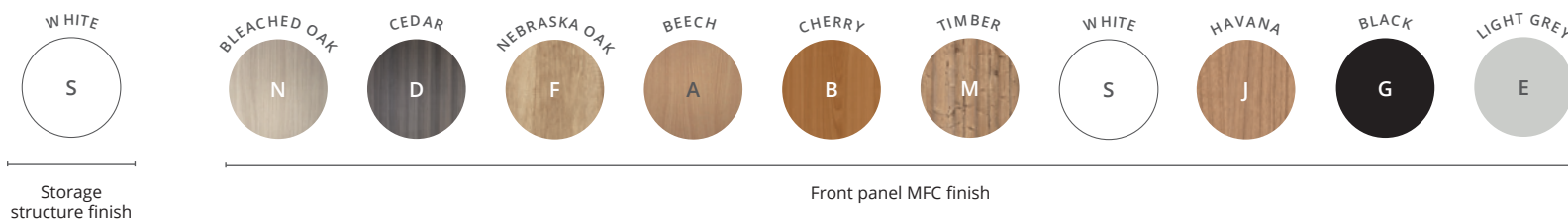
Delivered product pre-assembled with possible assembly by a single person.

Possibility of choosing an individual version with left or right opening, or a shared version for 2 users.





Finishes



Pedestals

		Dimensions in cm	Description	Ref.	+ Finish* Front panel
Tower H 72 cm		D 80 / H 72 / L 41,5	Positioned to the right of the desk	BZ01S	+ <input type="checkbox"/>
			Positioned to the left of the desk	DA14S	+ <input type="checkbox"/>
Tower H 113 cm		D 80 / H 113 / L 41,5	Positioned to the right of the desk	BZ02S	+ <input type="checkbox"/>
			Positioned to the left of the desk	BZ03S	+ <input type="checkbox"/>
			Shared version	BZ04S	+ <input type="checkbox"/>

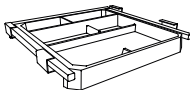
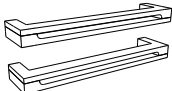
If the pedestal is positioned to the right of user, the access to the drawer is to the left.
 If the pedestal is positioned to the left of user, the access to the drawer is to the right.

*Complete the reference with the chosen finish. All our mentioned finishes, metal and all other materials are to be considered as decoration and imitation finishes.
 Ex: Optimax pedestal H 113 cm, shared version, Nebraska Oak MFC finish front panel = BZ04S + F





Options

		Finish	Ref.
Smartbac		White	BZ067S
Two-tone metal handles Set of 2 handles		Black / Brushed Alu Chrome-plated / Brushed Alu	BS896G BS896S

buronomic

FABRICANT FRANÇAIS

RETROUVEZ UN PARTENAIRE BURONOMIC PRÈS DE CHEZ VOUS



www.buronomic.com

