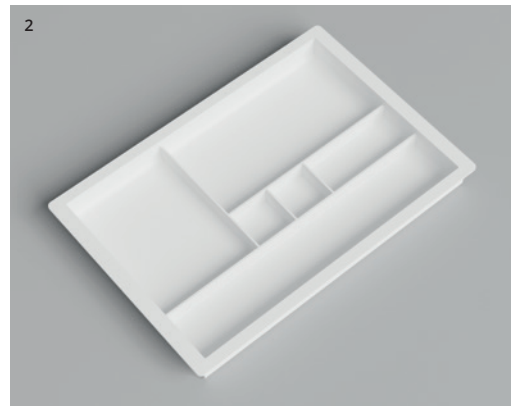




## COMFORT

The Comfort range of mobile pedestals and storage units on casters offer small personal storage areas. With their rigorous and linear design and the wide selection of colours, they integrate easily in any office, from the most traditional to the most modern, in operator as well as management environments.





1. Metal ergonomic handle for a better prehension. 2. Built-in pen tray with storage compartments. 3. Drawer for lateral filing with full extension for optimum user comfort.

# Technical description

## Pedestal

Glued framed structure made of 16 mm thick Structurex® board and equipped with metal inserts for castors or screw feet.

25 mm thick Structurex® top protected by 2 mm ABS edging.

The extension tops are equipped with connection plates to fasten the desk height pedestals to the desk top.

The drawers are mounted on metal runners with rollers. Black finish 3 mm hard board bottoms.

The lateral filing drawer with full extraction is equipped with a 5th anti-tilt castor.

Ergonomic metal handles.

Centralised locking with two keys, one folding.

Box drawers equipped with soft close device.

Top drawer equipped with a pen tray.

## Console

25 mm thick box structure console, 2 mm ABS edging.

Fitted with a support shelf, 2 compartments 16 mm thick divider.

5 multidirectional castors including 2 with brakes.

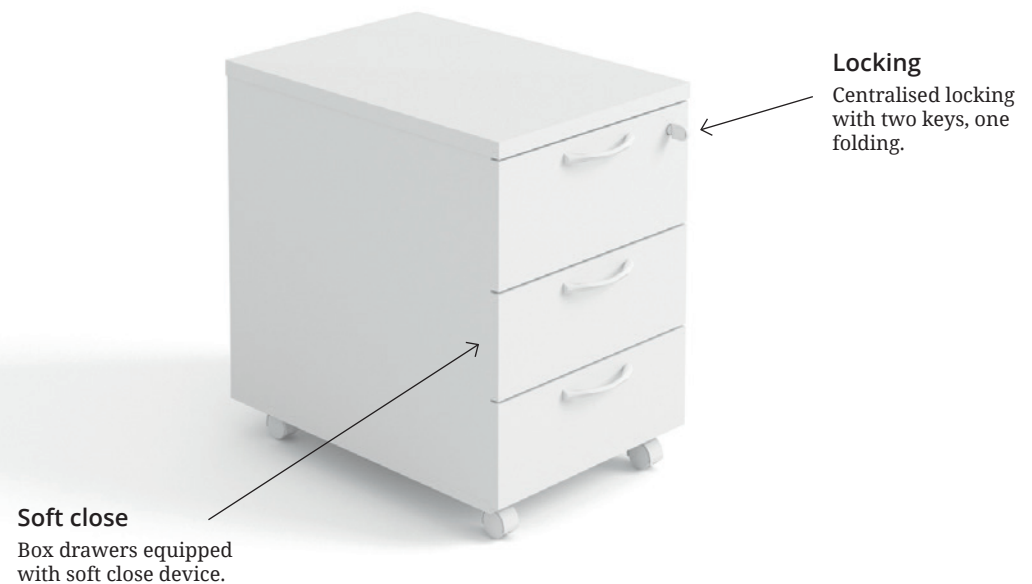
1 right or left sliding door with lock.

Can be fitted, as required, with a 2 or 3 drawers pedestal.

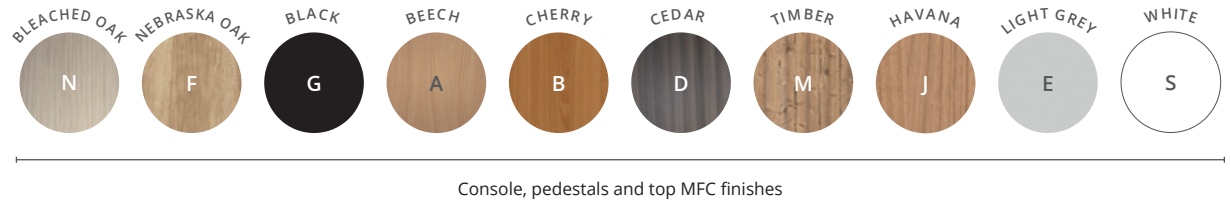
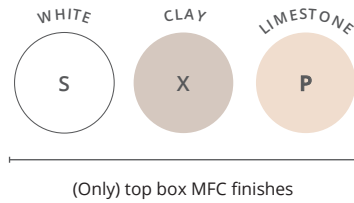
## Top Box

25 mm thick Structurex® panel.

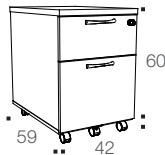

6 mm thick White Plexiglas back panel.



# Finishes



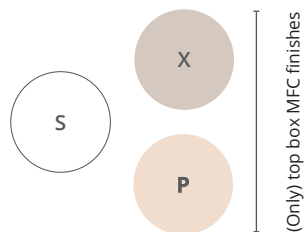
# Pedestals

	Dimensions in cm	Description	Ref.	+ Finish*
<b>Mobile pedestal</b> 	D 59 H 60 L 42	2 drawers, 1 box drawer and 1 Lateral Filing drawer	AQ671	+ <input type="checkbox"/>
		3 box drawers	AP211	+ <input type="checkbox"/>
<b>Mobile console</b> 	D 66,5 H 69,5 L 91	1 door + 1 niche	AW151	+ <input type="checkbox"/>
		1 door + 1 pedestal 2 drawers including 1 L.F.*	AX131	+ <input type="checkbox"/>
		1 door + 1 pedestal 3 box drawers	AR851	+ <input type="checkbox"/>

\*Complete the reference with the chosen finish. All our mentioned finishes, metal and all other materials are to be considered as decoration and imitation finishes.  
 Ex: 3 box drawers pedestal, Nebraska Oak MFC finish = AP211 + \_F\_



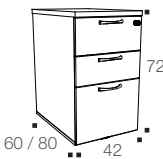
# Pedestals



(Only) top box MFC finishes

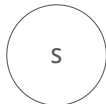


Pedestals and top MFC finishes

		Dimensions in cm	Description	Ref.	+ Finish* top box	+ Finish* pedestal
<b>Pedestals with top box</b>		D 60 / H 110 / L 42	3 drawers including 1 Lateral Filing	AW87	+ <input type="checkbox"/>	+ <input type="checkbox"/>
		D 80 / H 110 / L 42		AW88	+ <input type="checkbox"/>	+ <input type="checkbox"/>
		D 60 / H 110 / L 42	4 box drawers	AW84	+ <input type="checkbox"/>	+ <input type="checkbox"/>
		D 80 / H 110 / L 42		AW86	+ <input type="checkbox"/>	+ <input type="checkbox"/>
<b>Coloured top box</b>		D 42 / H 40 / L 60	White Plexiglas back panel	AW543	+ <input type="checkbox"/>	
		D 42 / H 40 / L 80		AW553	+ <input type="checkbox"/>	
<b>Desk high pedestals</b>		D 60 / H 72 / L 42	3 drawers including 1 Lateral Filing	BD66	+ <input type="checkbox"/>	+ <input type="checkbox"/>
		D 80 / H 72 / L 42		AQ77	+ <input type="checkbox"/>	+ <input type="checkbox"/>
		D 60 / H 72 / L 42	4 box drawers	BD27	+ <input type="checkbox"/>	+ <input type="checkbox"/>
		D 80 / H 72 / L 42		AP37	+ <input type="checkbox"/>	+ <input type="checkbox"/>
<b>Desk high pedestal without top</b>		D 60 / H 69,5 / L 42	3 drawers including 1 Lateral Filing	BZ823	+ <input type="checkbox"/>	
		D 80 / H 69,5 / L 42		BZ833	+ <input type="checkbox"/>	
		D 60 / H 69,5 / L 42	4 box drawers	BZ293	+ <input type="checkbox"/>	
		D 80 / H 69,5 / L 42		BZ303	+ <input type="checkbox"/>	

\*Complete the reference with the chosen finish. All our mentioned finishes, metal and all other materials are to be considered as decoration and imitation finishes.  
Ex: pedestal with top box, 4 box drawers, D 60 cm, Beech MFC finish pedestal with White top box = AW84 +  S  A





Pedestals and top MFC finishes

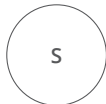


## Extension on pedestal

		Dimensions in cm	Description	Ref.	+ Finish* pedestal	+ Finish* top
<b>Pedestal with L 50 cm straight top</b>		D 60 / H 72 / pedestal L 42 / top L 50	3 drawers including 1 Lateral Filing drawer	AQ68	+ <input type="checkbox"/>	+ <input type="checkbox"/>
			4 box drawers	AP23	+ <input type="checkbox"/>	+ <input type="checkbox"/>
<b>Pedestal with L 80 cm straight top</b>		D 60 / H 72 / pedestal L 42 / top L 80	3 drawers including 1 Lateral Filing drawer	AQ69	+ <input type="checkbox"/>	+ <input type="checkbox"/>
			4 box drawers	AP25	+ <input type="checkbox"/>	+ <input type="checkbox"/>
			<b>Compulsory</b>			
			Support leg Aluminium	AQ001K		
			Support leg Anthracite	AQ002L		
			Support leg White	AQ007S		
<b>Pedestal with L 120 cm straight top</b>		D 60 / H 72 / pedestal L 42 / top L 120	3 drawers including 1 Lateral Filing drawer	AQ70	+ <input type="checkbox"/>	+ <input type="checkbox"/>
			4 box drawers	AP27	+ <input type="checkbox"/>	+ <input type="checkbox"/>
			<b>Compulsory</b>			
			Support leg Aluminium	AQ001K		
			Support leg Anthracite	AQ002L		
			Support leg White	AQ007S		

\*Complete the reference with the chosen finish. All our mentioned finishes, metal and all other materials are to be considered as decoration and imitation finishes.  
Ex: pedestal with L 50 cm straight top, 3 drawers including 1 Lateral Filing drawer, Cedar MFC finish pedestal with White MFC finish top = AP22 +  D  S





Pedestals and top MFC finishes



## Extension on pedestal

		Dimensions in cm	Description	Ref.	+ Finish* pedestal	+ Finish* top
<b>Pedestal with wave top</b>		D 60 / H 72 / pedestal	3 drawers including 1 Lateral Filing - right hand return	AQ71	+ <input type="checkbox"/>	+ <input type="checkbox"/>
		L 42 / top L 50 to 61	3 drawers including 1 Lateral Filing - left hand return	AQ72	+ <input type="checkbox"/>	+ <input type="checkbox"/>
			4 box drawers - right hand return	AP29	+ <input type="checkbox"/>	+ <input type="checkbox"/>
			4 box drawers - left hand return	AP31	+ <input type="checkbox"/>	+ <input type="checkbox"/>
<b>Pedestal with L 60 cm straight top</b>		D 80 / H 72 / pedestal	3 drawers including 1 Lateral Filing drawer	AQ78	+ <input type="checkbox"/>	+ <input type="checkbox"/>
		L 42 / top L 60	4 box drawers	AP39	+ <input type="checkbox"/>	+ <input type="checkbox"/>
<b>Bench top pedestal</b>		D 42 / L 70	To position on D 60 cm pedestal and to associate with D 70 cm desks.	BZ773		+ <input type="checkbox"/>
		D 42 / L 143		BZ253*		+ <input type="checkbox"/>
		D 42 / L 163		BZ263*		+ <input type="checkbox"/>

**\*Not available in Black finish top**

*\*Complete the reference with the chosen finish. All our mentioned finishes, metal and all other materials are to be considered as decoration and imitation finishes.  
Ex: pedestal with wave top, 4 box drawers with left hand return, Bleached Oak MFC finish = AP31 +  N  N*

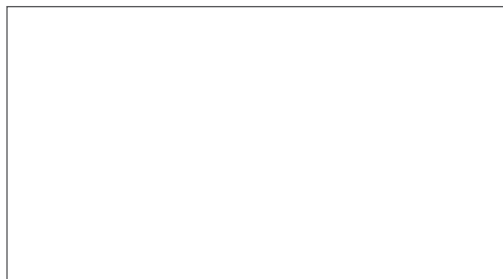




# **buronomic**

FABRICANT FRANÇAIS

RETROUVEZ UN PARTENAIRE BURONOMIC PRÈS DE CHEZ VOUS



[www.buronomic.com](http://www.buronomic.com)

