



BIENVENUE

Bienvenue reception solutions give visitors a warm welcome. Composed of high and low, straight and curved modules, with DDA extension for wheelchair users, including storage and cable routing, you can adapt this reception counter according to your requirements and layouts. Choose Bienvenue to create a functional and modular reception area.





1. High counter with integrated desk-height pedestal for proximity storage. 2. Low counter with DDA extension for wheelchair users.

Technical description

Structure made of Structurex®, 25 mm thickness.

2 mm ABS edging.

Corner elements with modesty panel in metal finish decorated in stamped squares, lacquered epoxy finish.

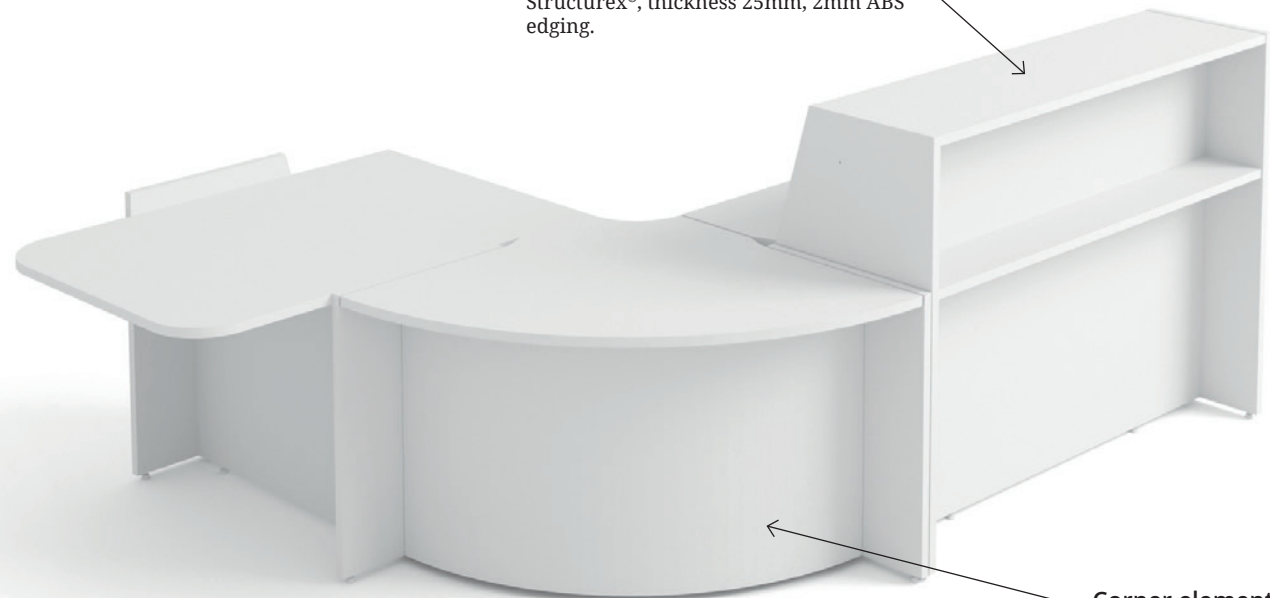
Modules are equipped with 80 mm diameter lateral cable ports and vertical cable channels in the work tops of high desk counters.

Modules are connected by metal plates.

Adjustable screw feet to compensate for any defects in the floor and to align the modules. Modesty panel in metal finish decorated in stamped squares, lacquered epoxy finish.

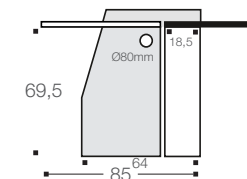
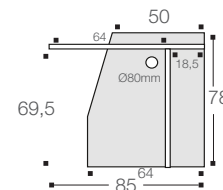
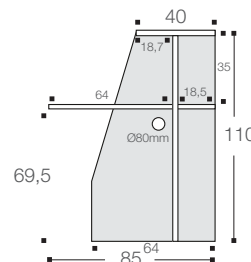
Structure

Structurex®, thickness 25mm, 2mm ABS edging.



Corner element

Modesty panel in metal finish decorated in stamped squares, lacquered epoxy finish.



DDA module

Finishes



Metal modesty panel imitation finishes

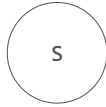


Top MFC finishes

Counters

		Dimensions in cm	Ref.	+Finish*
High counter without work top		L 85	BJ303	+ <input type="checkbox"/>
		L 125	BJ313	+ <input type="checkbox"/>
		L 145	BJ323	+ <input type="checkbox"/>
		L 165	BJ333	+ <input type="checkbox"/>
High counter with work top		L 85	BJ243	+ <input type="checkbox"/>
		L 125	BJ253	+ <input type="checkbox"/>
		L 145	BJ263	+ <input type="checkbox"/>
		L 165	BJ273	+ <input type="checkbox"/>

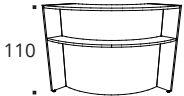
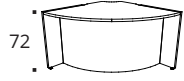
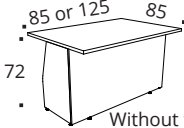
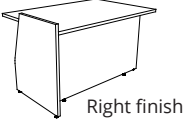
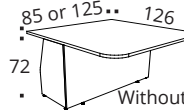
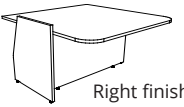
*Complete the reference with the chosen finish. All our mentioned finishes, metal and all other materials are to be considered as decoration and imitation finishes.
Ex : high counter without work top L85, Bleached Oak MFC finish = BJ303 + _N_



Metal modesty panel imitation finishes

Top MFC finishes

Counters

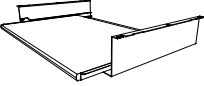

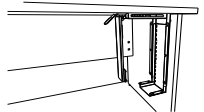
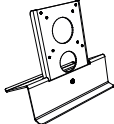
	Description	Dimensions in cm	Ref.	+Finish*
90° Corner unit	 High corner unit	D85 to 101	AE42	+ [] [] []
	 Low corner unit		AE43	+ [] [] []
Low counter unit	 Without finish panel	L 85 L 125	BB253	+ [] [] []
	 [Option] Right finishing panel Left finishing panel		BH623 BH633	+ [] [] + [] []
Low counter unit with DDA* unit¹	 Without finish panel	L 85 L 125	BH643	+ [] [] []
	 [Option] Right finishing panel Left finishing panel		BH623 BH633	+ [] [] + [] []

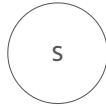
Element can't be purchased alone, compulsory assembly with a standard high or low counters.
(1) DDA = Disability Discrimination Act.

*Complete the reference with the chosen finish. All our mentioned finishes, metal and all other materials are to be considered as decoration and imitation finishes.
Ex : high corner unit, Red metal modesty panel imitation finish, Bleached Oak MFC finish = AE42 + [8 | N]




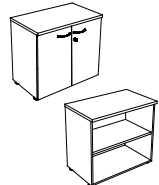
Options

		Description	Dimensions in cm	Finish	Ref.
Keyboard pull-out shelf		Metal sided wooden pull-out shelf	D 36 H 10 L 62	Anthracite	AF012L
Single metal cable tray		To be attached to Structurex® structural modesty panel	D 13 H 12 L 60	Aluminium	AF051K
Metal CPU holder		Fitted directly beneath the desk - Load max. 38kg	Useful depth from 33 to 63 cm Useful width from 8 to 23 cm	Aluminium White	AF031K AF037S
Screen stand		Metal screen stand	D18 / H22,5 / L24	Black	BY295G



MFC finishes

Additional units

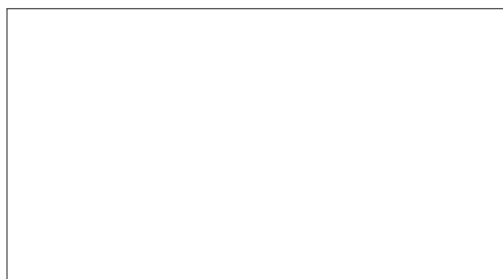
	Description	Dimensions in cm	Ref.	+Finish*
Desk high pedestal 	3 drawers including 1 Lateral Filing 4 box drawers	D 60 / H 69,5 / L 41,5	BZ091 BC831	+ <input type="checkbox"/> + <input type="checkbox"/>
	To slide under the worktop			
Low storage H 72 cm 	Open		BP503	+ <input type="checkbox"/>
	Hinged doors	D 48 / H 72 / L 80	BP513	+ <input type="checkbox"/>
	2 Lateral Filing drawers		BP723	+ <input type="checkbox"/>

*Complete the reference with the chosen finish. All our mentioned finishes, metal and all other materials are to be considered as decoration and imitation finishes.
Ex : desk high pedestal, 4 box drawers, Bleached Oak MFC finish = BC831 + N

buronomic

FABRICANT FRANÇAIS

RETROUVEZ UN PARTENAIRE BURONOMIC PRÈS DE CHEZ VOUS



www.buronomic.com

